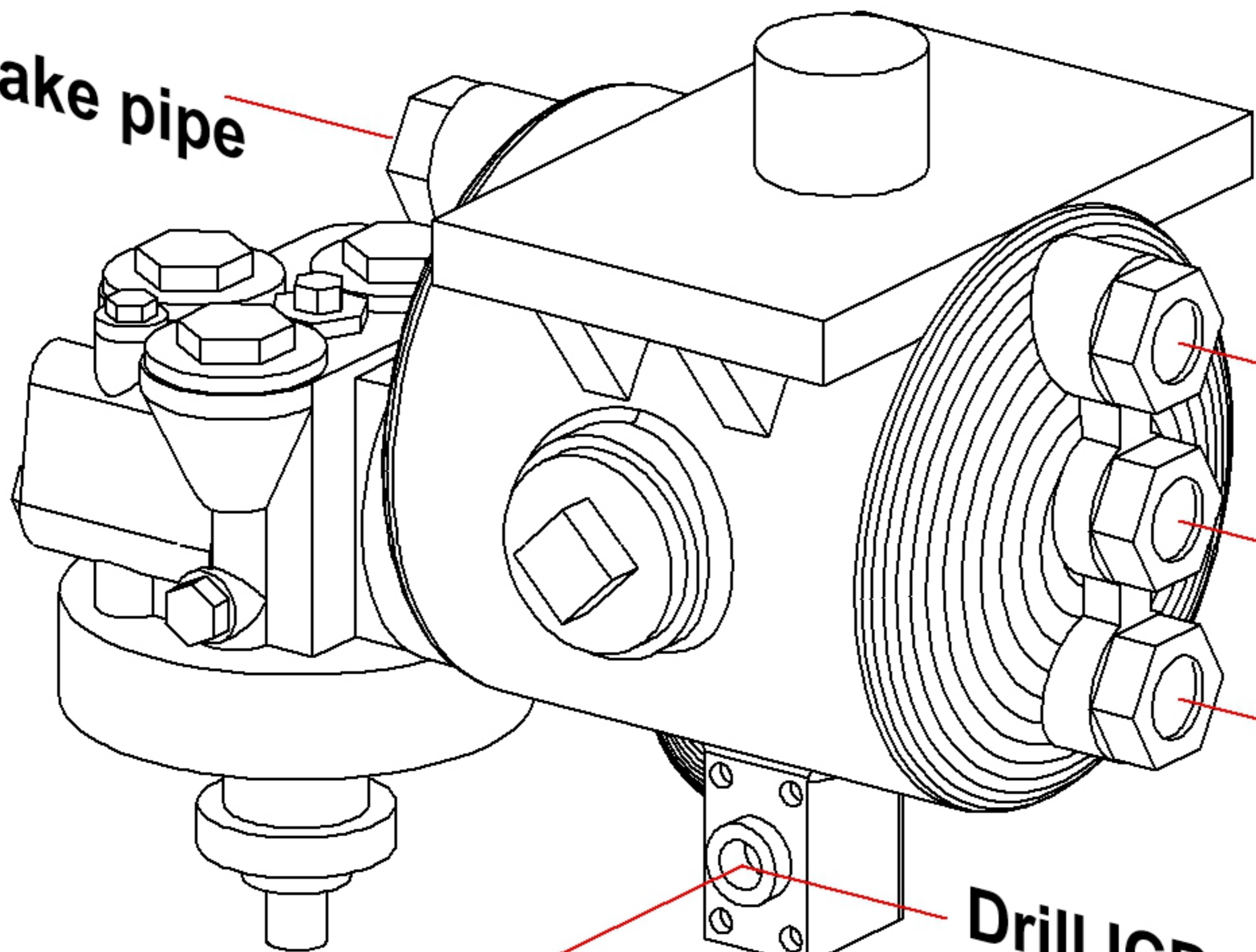


**Main Brake pipe**



**Main Brake pipe**

**Air Reservoir**

**Brake cylinder(s)**

**Drill ICD  
location**

**0.3mm brass  
wire**