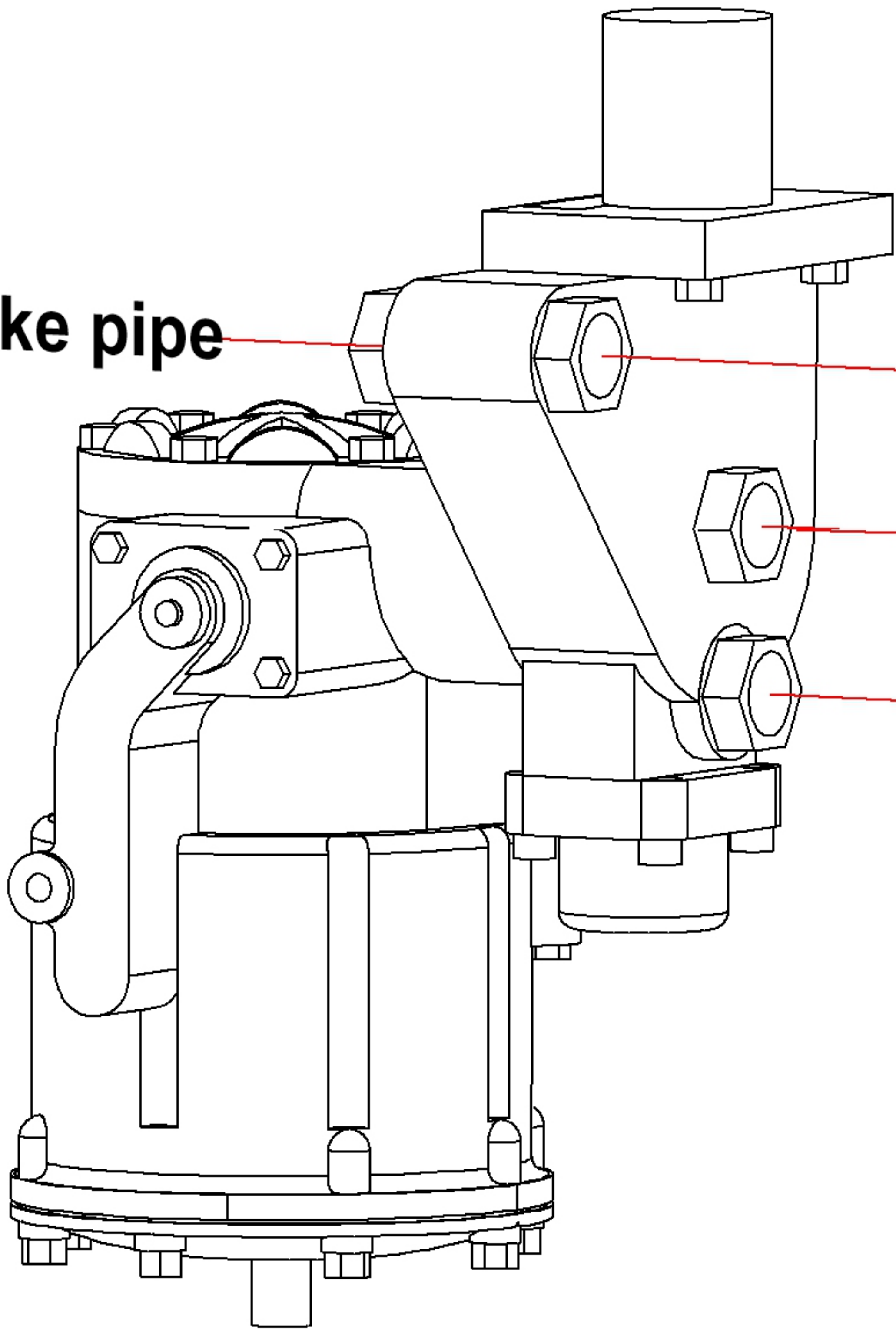


Main Brake pipe



Main Brake pipe

Air Reservoir

Brake cylinder(s)